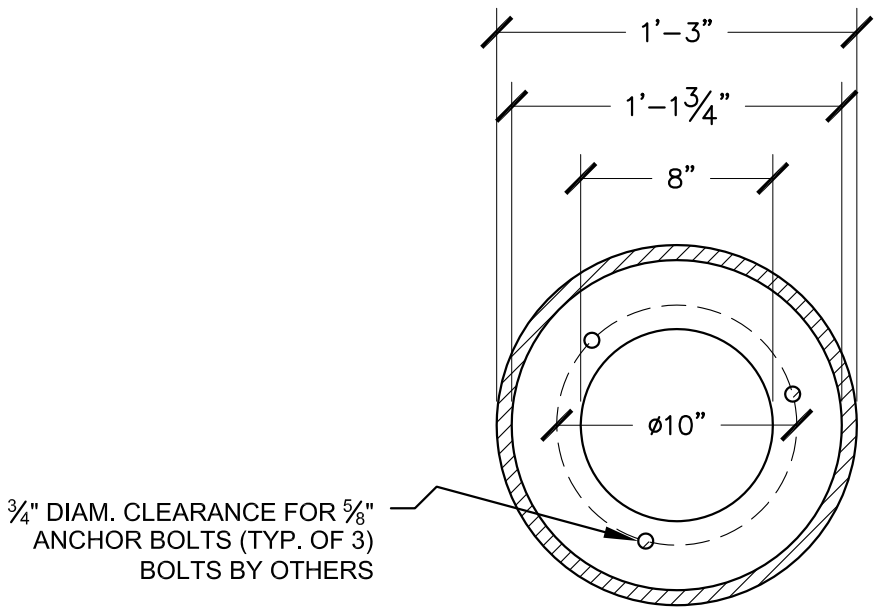


ELEVATION



SECTION AT BASE

3/4" DIAM. CLEARANCE FOR 5/8" ANCHOR BOLTS (TYP. OF 3) BOLTS BY OTHERS



# FLUTED BOLLARD

